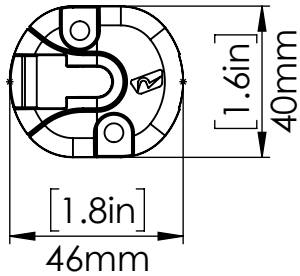


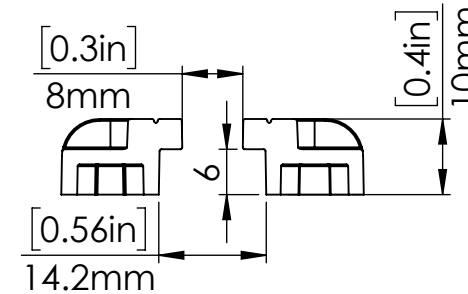
RAILBLAZA EXPANDA TRACK

End Caps - No Track

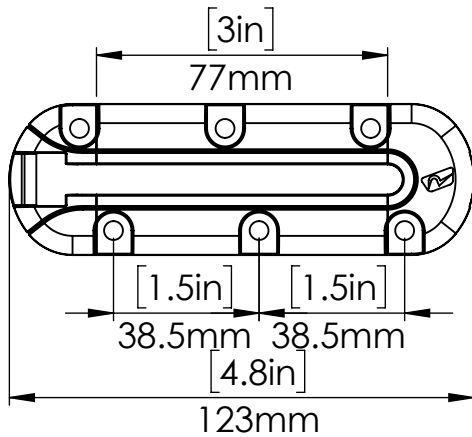


- 1 x Open End
- 1 x Closed End

Track Dimensions



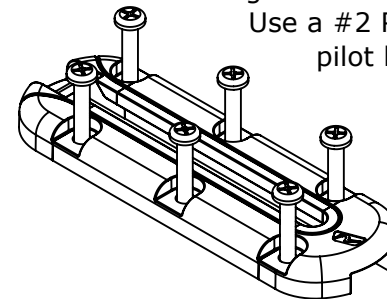
Single Section Track



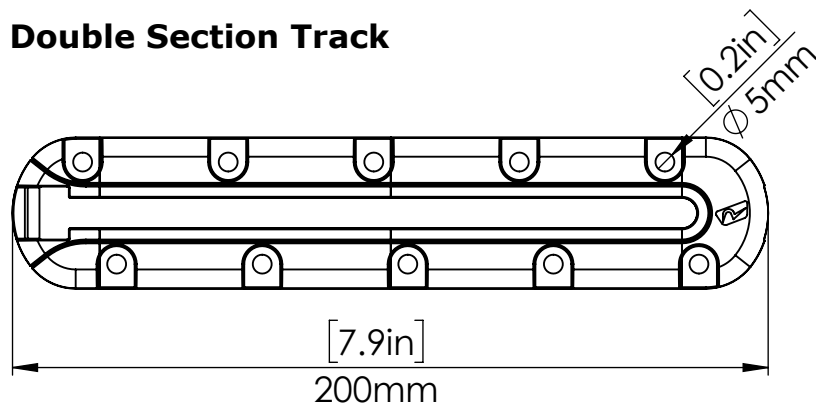
- 1 x Open End
- 1 x Closed End
- 2 x Side Section

Self Tapping Screws

8g x 20 self-tapping screws are provided
Use a #2 Posi drive drill bit without a pilot hole for the best result



Double Section Track



- 1 x Open End
- 1 x Closed End
- 4 x Side Section

NOTE: To make a longer track - simply buy another kit and add as many side sections as you like!

1:5 SCALE
20/08/2020 DATE

RAILBLAZA EXPANDA TRACK TITLE
01-4122-11 PART NUMBER