



This Quick installation guide provides a brief overview of a Switch Input 3 or 4 installation.

Reading the user's manual is still necessary for safety instructions, additional features, best performance and years of trouble-free service. The Switch Input 3 / 4 manual is available at www.Mastervolt.com.



Read the safety instructions (chapter 2 of the user's manual).



Safety regulations and measures

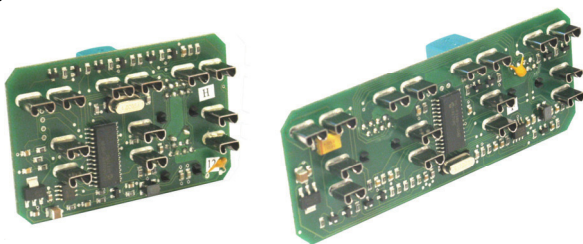
1. Install the switch according to the instructions in both the user's and installation manual.
2. Never use switches at a location where there is danger of gas or dust explosions.
3. Connections and safety features must be executed according to locally applicable regulations.

Mastervolt cannot be held liable for:

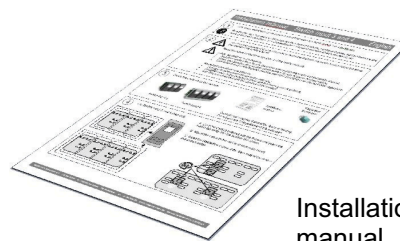
- Damage resulting from the use of the switches;
- Possible errors in the included manual and the consequences of these;
- Use that is inconsistent with the purpose of the product.



Check the contents of the delivery.



Switch Input 3 or Switch Input 4



Installation manual

MasterBus Terminator

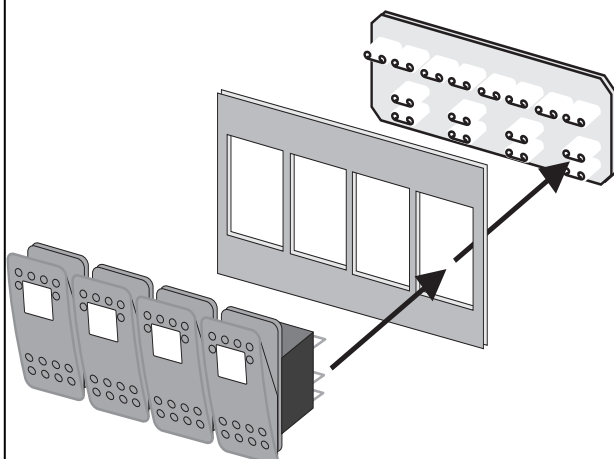


Contact your supplier if one of the items is missing. Do not use the Switch Input if it is damaged.

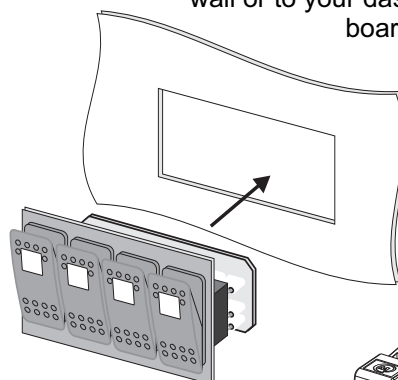


Assemble the device and connect the wires.

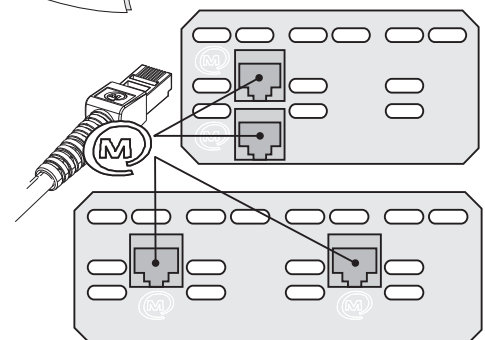
A. Click the Carling switches into the frames and press the switch lips firmly into the fastons like shown



B. Mount the frame to the wall or to your dash board.



C. Insert the MasterBus cables at the back side of the device like shown below.



5 Configure the Switch Input for MasterBus communication (see user's manual for event configuration):

Variable	Description	Default	Range
<i>Configuration at the Switch Input</i>			
Language	Language setting of the Switch Input.	English	10 languages
Device name	Name of your Switch Input in the MasterBus system. If you have more than one Switch Input you should change names.	DSI Switch in 3, DSI Switch in 4	DSI + any maximum 12 character name.
Events locked	Option to disable event configuration on the device. Operable by installer only (log in required).	Unchecked	Unchecked, Checked
Switch X	Name of switch number X. X ranges 1-3 (1-4). Naming the switches after their application is convenient, for instance "SW Anchor Light" for the anchor light switch.	Switch X	Any maximum 16 character name.
Feedback X	Name of feedback number X. X ranges 1-3 (1-4). This feedback indicates the device selected has been switched On and is functioning. Naming the feedbacks after their application is convenient, for instance "FB Anchor Light" for the anchor light feedback.	Feedback X	Any maximum 16 character name.

Specifications	Switch Input 3	Switch Input 4
Article number	77031300	77031400
Number of configurable events	63	63
Power consumption	0.19 mA	0.19 mA
IP factor	21	21
Weight	35 g including terminator	45 g including terminator

Dimensions of a complete set in mm [inch]

