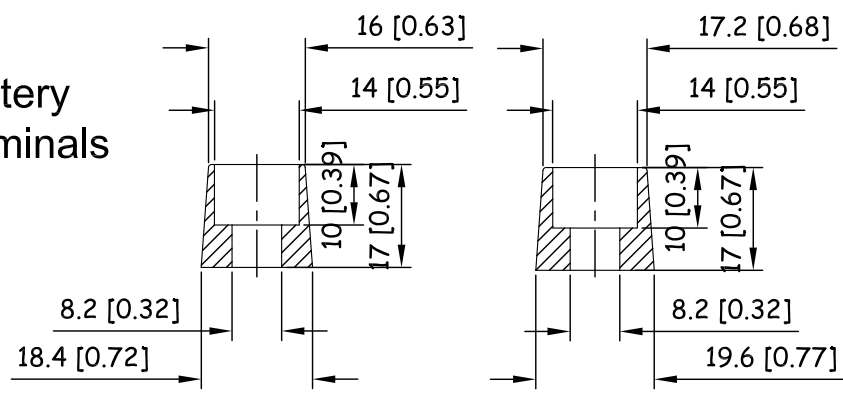


Battery terminals



-

+

Both terminals come with M8x20 [0.79] inner hexagonal rvs bolt

Part number: 62002250

Name: <b>AGM 225Ah</b>		Drawing unit: mm	
		size	
		<b>A4</b>	
Scale: na	Checked:	Drawing: M1651-0	
Drawn by: hFd	Date: 20080829		