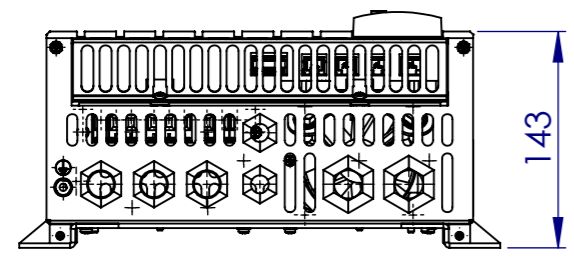
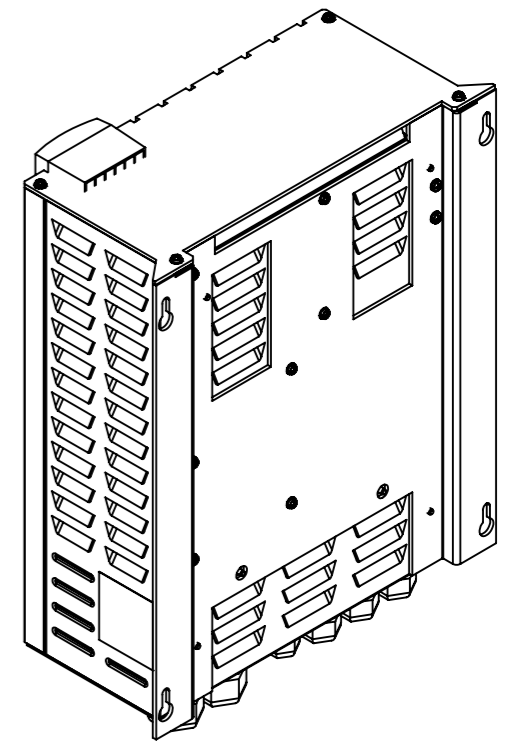
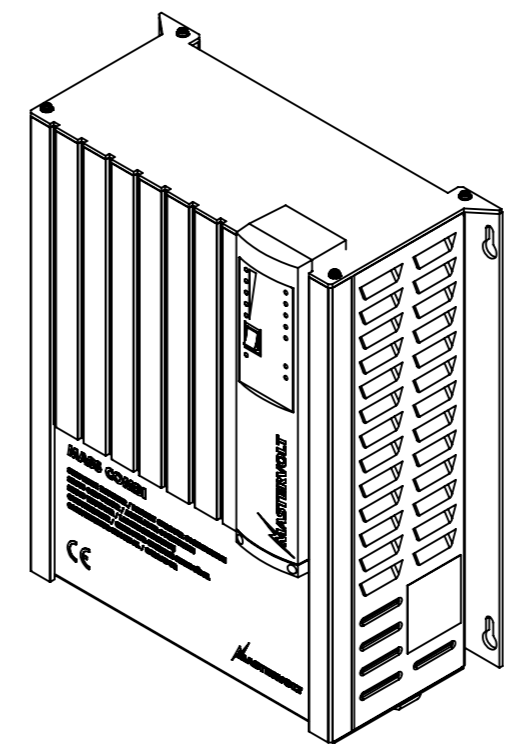
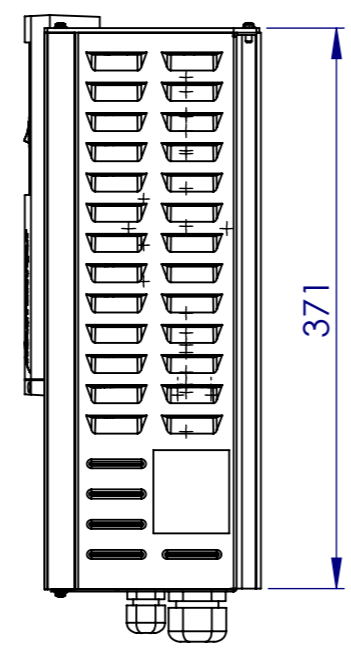
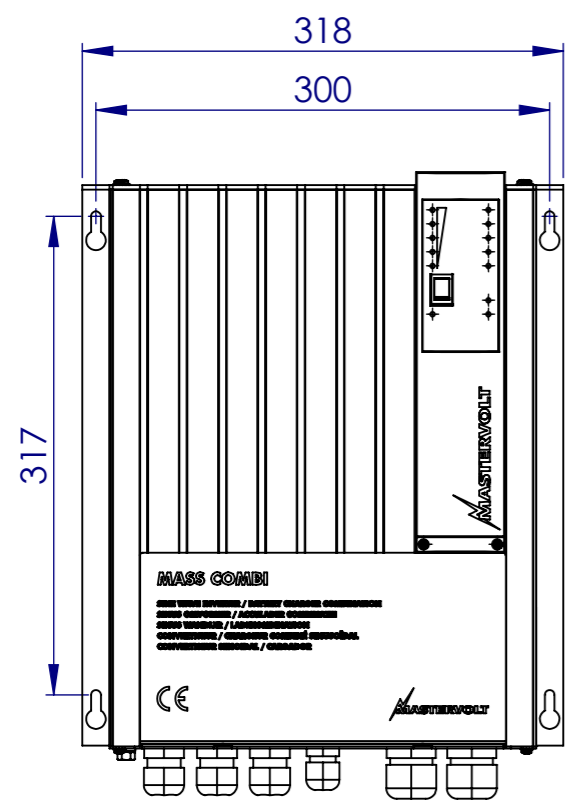



1 2 3 4 5 6 7 8

A
B
C
D
E
F



Unless otherwise specified. Dimensions are in mm Tolerances: - Linear: ± 0.2mm - Angular: ± 0.5°		Finish:	Debur and break sharp edges.	Status:	Revision
<i>DO NOT SCALE DRAWING</i>				Title Dimensions Mass Combi 1600 - 1800 series	
Drawn	Signature	Date	Material:		
Chk'd			Color:	Project:	
Appr'd					
Mfg				Weight:	
Q.A					
Copyright by Mastervolt BV No part of this drawing may be reproduced or distributed in any form or by any means, or stored in a data base or retrieval system without the prior written permission of Mastervolt.					

A3

1 2 3 4