



DL70-R155 (M) 1100 HF 830 2xQCA SM WB IP54 WH

Item Number	DL70555940
GTIN	4741145559409
Stock status	A



Technical specifications

General	
Product shape	Round
Certificates	
Marine Approved	True
Technical Data	
Minimum ambient temperature (°C)	-20
Maximum ambient temperature (°C)	45
Light Technical Data	
Light source	LED
Lumen out (lm)	1098
Number of lamps	1
Lumen per Watt (lm/W)	134
Lamp colour temp (K)	3000
CRI Colour rendering index	>80
Light distribution up %	0
Light distribution down %	100
MacAdam step	3
Energy class light source	C
Driver / Ballast	
Type of LED Driver	HF: Non dimmable
Number of Driver	1
Lifetime	
L80 Median useful life LED Ta25 (hr)	100 000
L90 Median useful life LED Ta25 (hr)	100 000
L70 Median useful life LED MaxTa (hr)	100 000
L80 Median useful life LED MaxTa (hr)	50 000

Electrical Data	
EMC Category	EMC2 : EMC A – IEC 60533 General Areas
Minimum Voltage -10% (VAC)	220
Maximum voltage +10% (VAC)	240
Minimum frequency -5% (Hz)	50
Maximum frequency +5% (Hz)	60
Main Feed DC (V) Min	186
Main Feed DC (V) Max	250
Total consumption (W)	8.2
Number of luminaires on a 10A MCB type B	21
Number of luminaires on a 10A MCB type C	35
Number of luminaires on a 16A MCB type B	34
Number of luminaires on a 16A MCB type C	58
Number of luminaires on a 20A MCB type C	71
Number of luminaires on a 25A MCB type C	88
Optic	
Beam angle (°)	WB
Optic	SM - Silver matt reflector
Colour of reflector	Silver Matt
Housing	
Main body material	Aluminium
Main body material production method	Die-casted
Body colour	BL - Black
Main body colour name	Black
Main body colour surface	Powder coated
Decor colour	WH - White

Dimensions

Length (mm)	296
Height (mm)	87
Diameter (mm)	168
Cut out (mm)	155
Net weight (kg)	0.7912
Cut out diameter	155

Logistic Data

Item gross weight (kg)	0.86
------------------------	------

Termination

Plug type	M/F Wago
-----------	----------

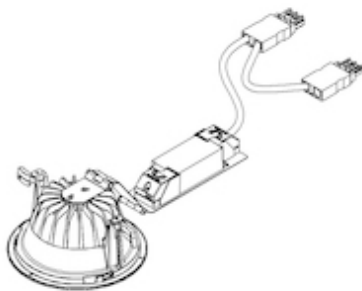
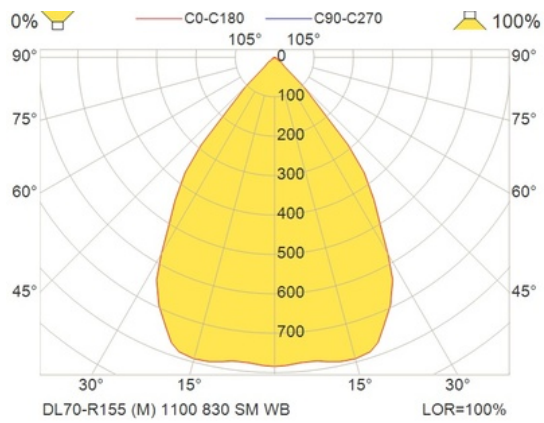
Mounting

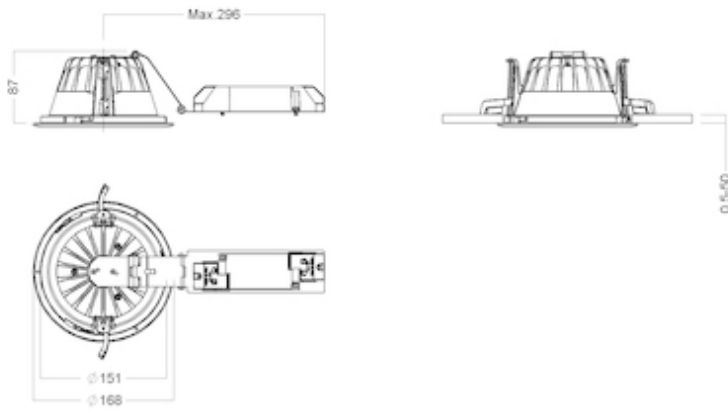
Product mounting	Ceiling recessed
------------------	------------------

Special

Fire classification	B15 with extra insulation
---------------------	---------------------------

Illustrations





Images

