



Series 75 Navigation light

Safety at sea



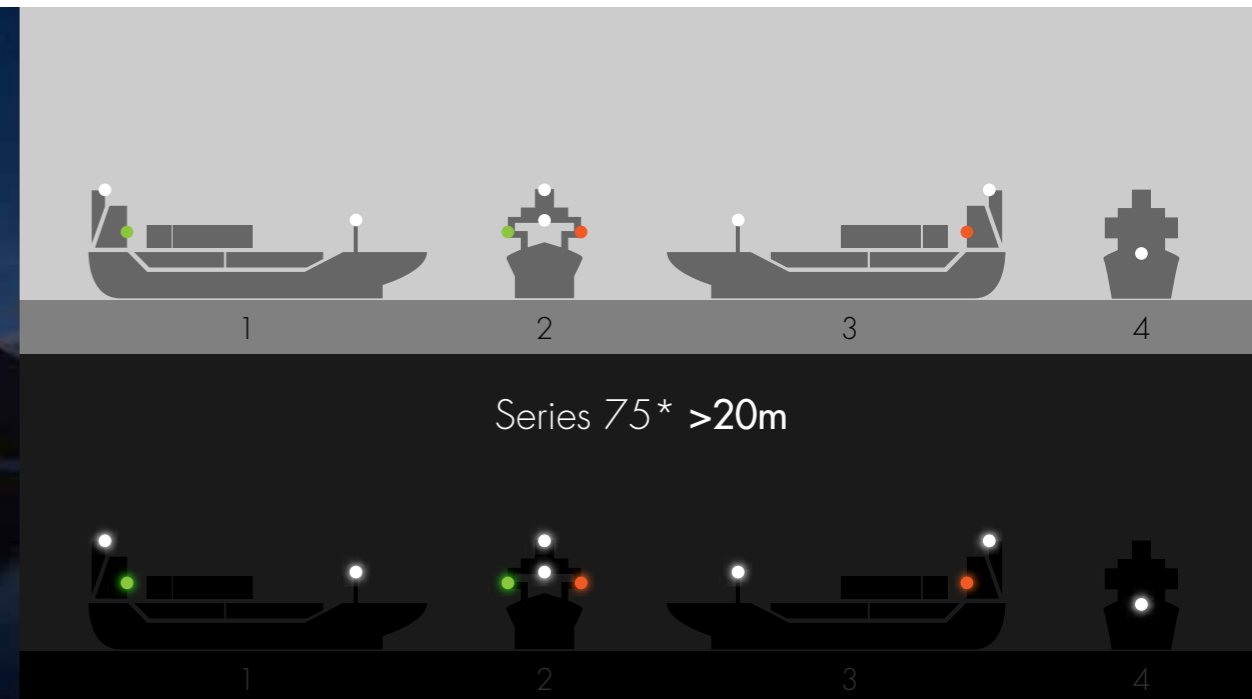
Series 75

LED Navigation light



Series 75 is a family of navigation lights with the newest LED and driver technology. They are suitable for all vessels ≥ 20 m in length. Series 75 sets new standards in terms of lifetime, efficiency and reliability.

Series 75 is available in Single version (Series 75), Double version (Series 75D), Single Arctic version (Series 75 Arctic) and Double Arctic version (Series 75D Arctic). Arctic versions are intended for use in low temperature areas, and includes a heating foil, on the inside of the glass lens.



* Different navigation and signalling light configuration for vessels 20-50 meters and vessels above 50 meters.

Safety

According to COLREGS

The Series 75 LED Navigation lights are applicable for all vessels ≥ 20 m in length. The LED Navigation lights fulfil all requirements of International Regulations for Preventing Collisions at Sea 1972 (COLREG) are published by the International Maritime Organization (IMO) and local rules.

Integrated countdown system

Having a lantern come to end of life or fail while you're at sea is something you don't want to risk. This is why the Series 75 is equipped with a countdown system that will let you know when it's time to replace the navigation light. To make the system tamper proof the timer is integrated in the lantern while the status is communicated and displayed in the control panel. The system reflects the use of the lantern, whether it is exposed to cold temperatures and harsh weather or conditions with less wear and tear. This system provides added safety for the vessel.

Excellent EMC characteristic

DNV-GL EMC Class B (Bridge and open deck)

There are strict requirements for electromagnetic compability (EMC) for lanterns that should be installed close to VHF antenna. Our lanterns Series 75 have very low EMC emission level and were tested and comply with the emission and immunity requirements of the IEC 60945.

Durable

Lifetime: Main (or spare) 100 000 hrs Ta 45°C

Polycarbonate housing and cover

Borosilicate glass

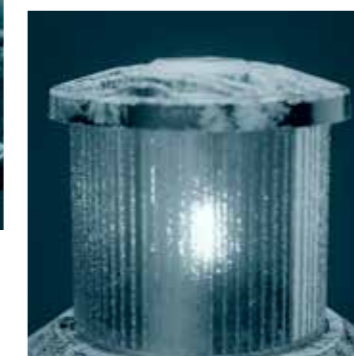
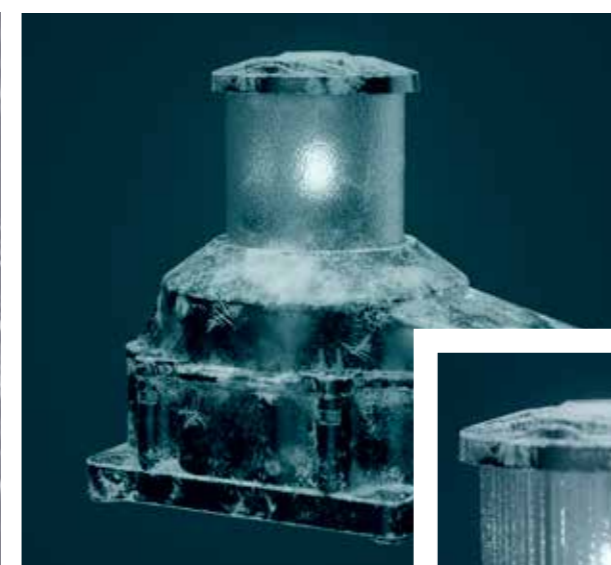
High resistance against shock and vibration
High resistance against chemical substances
Limited thermal expansion/retraction in regards to temperature



DNV-GL EMC Class B (Bridge and open deck) approved.



Tested and approved for IP66/67.



Arctic version

The Series 75 Arctic version is suitable for extremely low temperatures down to -40°C and is equipped with a transparent heating foil.



Sustainability

Series 75 is extremely energy-efficient. These eco-friendly navigation lights will reduce your carbon footprint, with low CO₂ levels and virtually no emissions.

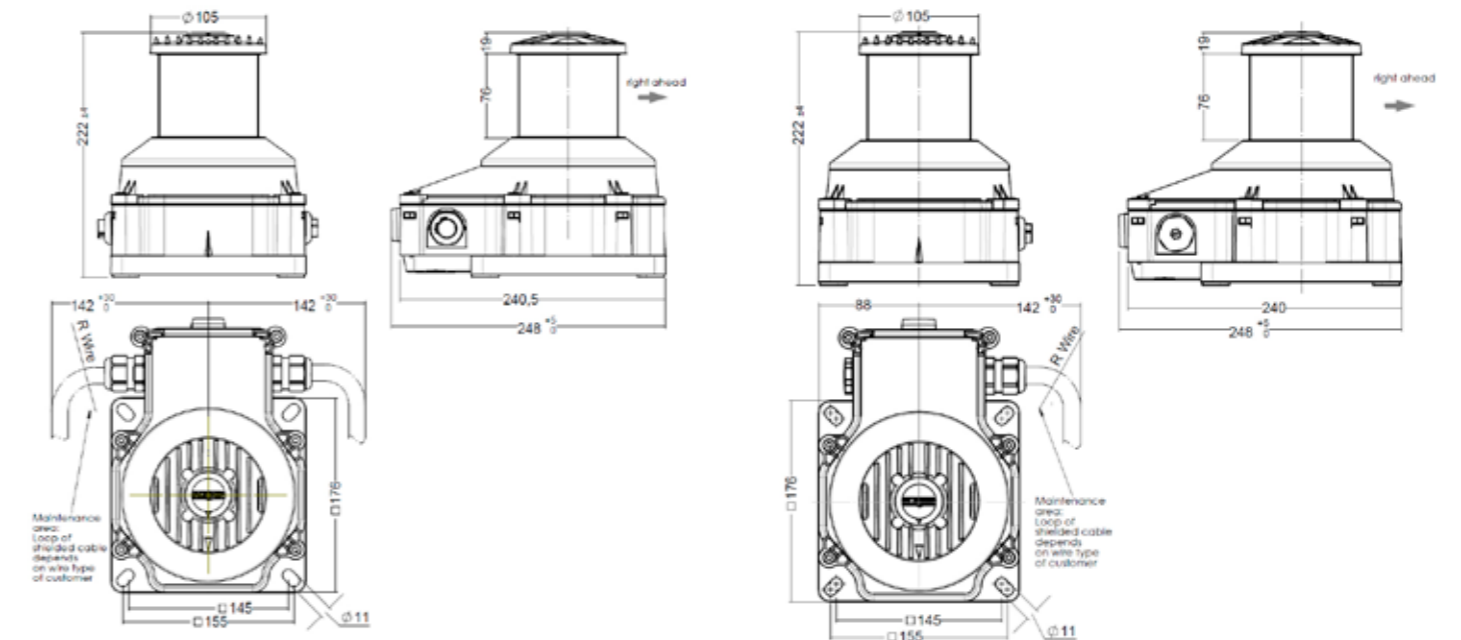
In line with Glamox's five core values, our business units are committed to improving their processes and products, enabling Glamox to help protect and reduce environmental impact throughout the lifetime of our products.



Skandi Skolten © Tom Guldbrandsen

Technical data

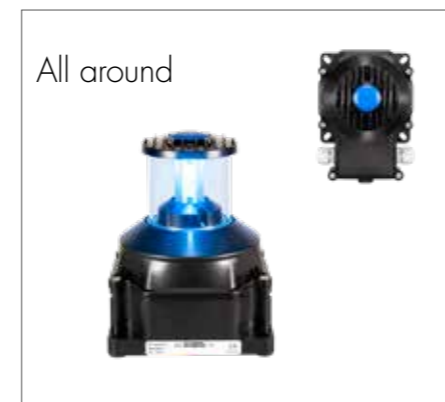
Application	For ships ≥ 20 meters	Connection	Cable gland: Single: 1 x M25 x 1.5; Double: 2 x M25 x 1.5; Polyamide, for outer cable Ø 10,00-17,00 mm (Standard), Ø 8,00-12,00 mm (Reducer ring)
Lifetime:	2x100.000 hours at Ta 45°C (Main and spare)	Test specifications:	EMC characteristics: DNV-GL EMC Class B Bridge and Open Deck according to IEC60092 Shock tests (up to 15g, 3-Axes) Vibration testing (2.3g) Climatic testing (-40°C up to +55°C) Salt mist spray tests (level 6 at 1000 hours)
IP rating:	IP66/IP67	Weight	Single/Double version: approx. 2,35/2,75 kg
Ambient Temperature:	Standard version: -25°C to +55°C Arctic version: -40°C to +55°C	Certificates	Wheelmark (MED Certificate)
Voltage	115V-230V AC and/or 24V DC		
Frequency:	50/60 Hz		
Housing	Polycarbonate housing and housing cover. Top cover in seawater resistant aluminum.		
Dimensions:	248 mm x 187 mm x 222 mm (LxWxH)		
Diffuser:	Borosilicate glass		





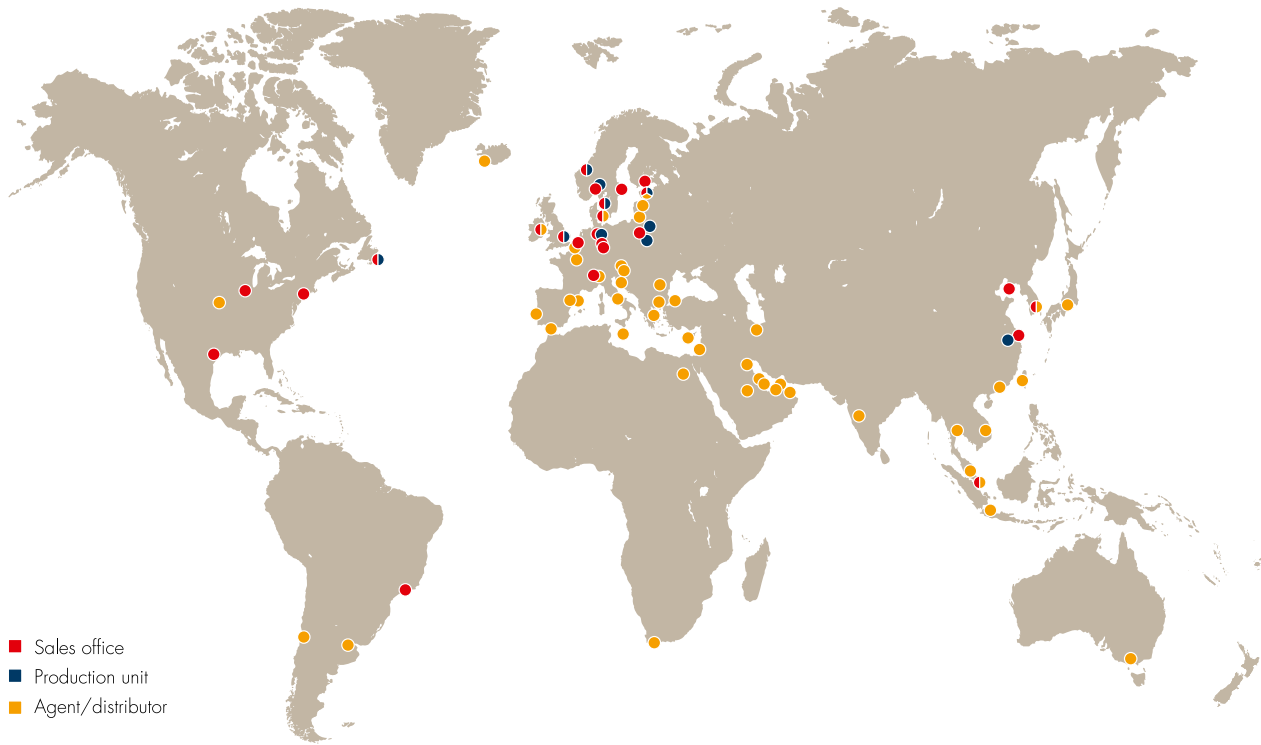
Item list for S75 and S75D

		Series 75 (Single)		Series 75D (Double)		
Main system (one LED circuit)	Range	115V / 230V AC	24V DC	115V / 230V AC	115V / 230V AC	24V DC
Reserve system				115V / 230V AC	24V DC	24V DC
Port	3 NM	3684205000	3684203000	3679205000	3679206000	3679203000
Starboard	3 NM	3683105000	3683103000	3678105000	3678106000	3678103000
Masthead	6 NM	3681005000	3681003000	3676005000	3676006000	3676003000
Stern white	3 NM	3682705000	3682703000	3677705000	3677706000	3677703000
Stern yellow	3 NM	3682405000	3682403000	3677405000	3677406000	3677403000
All-round white	3 NM	3680705000	3680703000	3675705000	3675706000	3675703000
All-round green	3 NM	3680105000	3680103000	3675105000	3675106000	3675103000
All-round red	3 NM	3680205000	3680203000	3675205000	3675206000	3675203000
All-round yellow	3 NM	3680405000	3680403000	3675405000	3675406000	3675403000
All-round white (2x180°)	3 NM	3680705003	3680703003	3675705003	3675706003	3675703003
All-round green (2x180°)	3 NM	3680105003	3680103003	3675105003	3675106003	3675103003
All-round red (2x180°)	3 NM	3680205003	3680203003	3675205003	3675206003	3675203003



Item list for S75 and S75D Arctic

		Series 75 (Single)		Series 75D (Double)		
Main system (one LED circuit)	Range	115V / 230V AC	24V DC	115V / 230V AC	115V / 230V AC	24V DC
Reserve system				115V / 230V AC	24V DC	24V DC
Port	3 NM	3684255000	3684253000	3679255000	3679256000	3679253000
Starboard	3 NM	3683155000	3683153000	3678155000	3678156000	3678153000
Masthead	6 NM	3681055000	3681053000	3676055000	3676056000	3676053000
Stern white	3 NM	3682755000	3682753000	3677755000	3677756000	3677753000
Stern yellow	3 NM	3682455000	3682453000	3677455000	3677456000	3677453000
All-round white	3 NM	3680755000	3680753000	3675755000	3675756000	3675753000
All-round green	3 NM	3680155000	3680153000	3675155000	3675156000	3675153000
All-round red	3 NM	3680255000	3680253000	3675255000	3675256000	3675253000
All-round yellow	3 NM	3680455000	3680453000	3675455000	3675456000	3675453000
All-round white (2x180°)	3 NM	3680755003	3680753003	3675755003	3675756003	3675753003
All-round green (2x180°)	3 NM	3680155003	3680153003	3675155003	3675156003	3675153003
All-round red (2x180°)	3 NM	3680255003	3680253003	3675255003	3675256003	3675253003



Germany

- Glamox Marine and Offshore GmbH
 BU Glamox Marine Germany
 Bremen
 Tel +49 421 36 93 52-0
 sales.marinegermany@glamox.com

- Glamox Marine and Offshore GmbH
 BU LINKSrechts
 Seevetal
 Tel: +49 (0) 4105 580 59 0
 info@LINKSrechts.de

Norway

- Glamox AS
 BU Glamox International
 Molde
 Tel +47 71 25 04 00
 info.gj@glamox.com

- Luminell Group
 Ålesund
 Tel. +47 70 10 10 70
 sales@luminell.com

The Netherlands

- Glamox B.V.
 Numansdorp
 Tel +31 186 653 111
 info.nl@glamox.com

Canada

- Glamox Inc.
 St. John's
 Newfoundland
 Tel +1 709 753 2373
 sales@glamox.ca

USA

- Glamox Aqua Signal Corporation
 Houston, Texas
 Tel +1 (281) 944-4100
 glamoxus@glamox.com

Brazil

- Glamox Brasil Iluminacao LTDA
 Rio de Janeiro
 Tel + 55 (21) 36 17 6003
 arlindo.moreira@glamox.com

Singapore

- Glamox PTE. LTD
 Singapore
 Tel +65 6748 1977
 Fax +65 6742 9711
 sales@glamoxfe.com.sg

China

- Glamox Trading Co.Ltd.
 Shanghai
 Tel +86 21 6039 3310
 info@glamoxcn.com

South-Korea

- Glamox Co. Ltd.
 Busan
 Tel +82 51 971 7200
 info@glamox.co.kr