

Add-A-Battery

DON'T GET STRANDED WITH A DEAD BATTERY

Charge two batteries away from the dock. Provides simplified switching with the Dual Circuit Plus™ Battery Switch and automated charging with the Automatic Charging Relay.

The Add-A-Battery includes a Dual Circuit Plus™ Battery Switch and an Automatic Charging Relay. These components simplify switching and automate charging, so that all you have to do is turn the battery switch ON when you arrive and OFF when you leave.

Dual Circuit Plus™ Battery Switch

- Simplifies switching
- Isolates engine and house circuits
- Combines batteries for emergency starting
- Tin-plated copper studs for maximum conductivity and corrosion resistance

ACR Automatic Charging Relay

- Automatically combines batteries during charging
- Isolates batteries during engine cranking and when not charging
- Shares the charge between two batteries more efficiently than a battery isolator
- Allows efficient dual battery charging without needing regulator adjustment or rewiring

Related Products



E-Series Battery Switch



SI-ACR



Mini Add-A-Battery Plus



M-Series Battery Switch



M-ACR



MRBF® Terminal Fuse Blocks



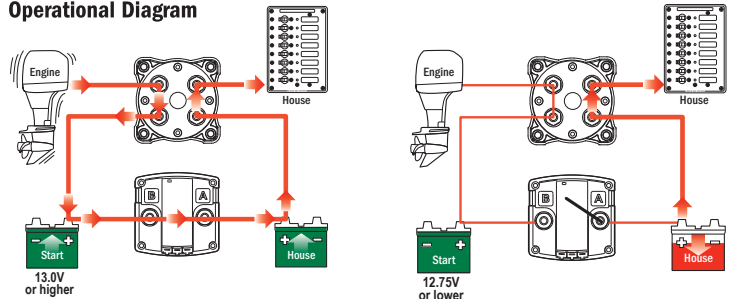
7649



7650



Operational Diagram



ENGINE* ON
ACR combines batteries, sharing charge with House battery

ENGINE* OFF
ACR isolates batteries, protecting the Start battery from discharge

*Engine with alternator up to 65A for Mini Add-A-Battery and engine with alternator up to 120A for Add-A-Battery

DC Current
→

Mini Add-A-Battery 7649

M-Series Dual Circuit Plus™ Battery Switch 6011

Specifications

Cranking Rating: 30 sec.	675A per circuit
Intermittent Rating: 5 min.	450A per circuit
Continuous Rating	300A per circuit
Voltage Max. Operating	32V DC

M-ACR 7601

Continuous Rating	65A	
Nominal Voltage	12V / 24V DC	
Intermittent Rating: 5 min.	115A	
Cable Size to meet ratings	6 AWG (16mm ²)	
Terminal Stud Size	1/4"-20 (M6)	
Relay Contact Position	12V DC	24V DC
Combine (30 sec.)	13.6V DC	27.2V DC
Combine (2 min.)	13.0V DC	26.0V DC
Open Low (10 sec.)	12.35V DC	24.7V DC
Open Low (30 sec.)	12.75V DC	25.5V DC
Over Voltage Lockout	16.0V DC	
Under Voltage Lockout	9.5V DC	19.0V DC

Regulatory

CE marked for Ignition Protection, Meets ISO 8846 and SAE J1171 external ignition protection requirements (UL 1500, M-Series 6011 only)
Rated IP67—protected against immersion up to 1 meter 30 minutes

Add-A-Battery 7650

E-Series Dual Circuit Plus™ Battery Switch 5511E

Specifications

Cranking Rating: 30 sec.	700A per circuit
Intermittent Rating: 5 min.	525A per circuit
Continuous Rating	350A per circuit
Voltage Max. Operating	32V DC

SI-ACR 7610

Continuous Rating	120A	
Nominal Voltage	12V / 24V DC	
Intermittent Rating: 5 min.	210A	
Terminal Stud Size	3/8"-16 (M10)	
Relay Contact Position	12V DC	24V DC
Combine (30 sec.)	13.6V DC	27.2V DC
Combine (2 min.)	13.0V DC	26.0V DC
Open Low (10 sec.)	12.35V DC	24.7V DC
Open Low (30 sec.)	12.75V DC	25.5V DC
Over Voltage Lockout	16.0V DC	
Under Voltage Lockout	9.5V DC	19.0V DC
Under Voltage Reset	10.0V DC	20.0V DC

Regulatory

CE marked for Ignition Protection, Meets ISO 8846, UL 1500 and SAE J1171 external ignition protection requirements
Rated IP67—protected against immersion up to 1 meter for 30 minutes

Mini Add-A-Battery

For most outboards



6011
675A Cranking: 30 sec.
450A Intermittent: 5 min.
300A Continuous
32V DC Maximum
Cable size 4/0 AWG (120mm²)



7601
115A Intermittent: 5 min.
65A Continuous
12V or 24V DC Nominal

Add-A-Battery

For outboards up to 350HP or inboards with stock alternators

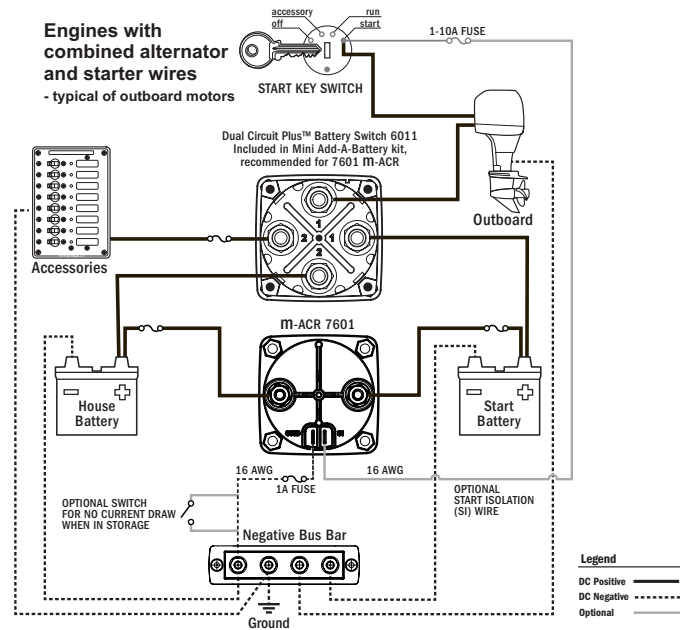


5511E
700A Cranking: 30 sec.
525A Intermittent: 5 min.
350A Continuous
32V DC Maximum
Cable size 4/0 AWG (120mm²)



7610
210A Intermittent: 5 min.
120A Continuous
12V or 24V DC Nominal

Wiring diagram for both Add-A-Battery Kits



4600 Ryzex Way
Bellingham, WA 98226 USA
p 360.738.8230
www.blueseas.com

6833 Rev.010