

BLUE SEA SYSTEMS

Marine Electrical Products

WeatherDeck™ Waterproof Fuse Panels 4, 6, and 8 Positions

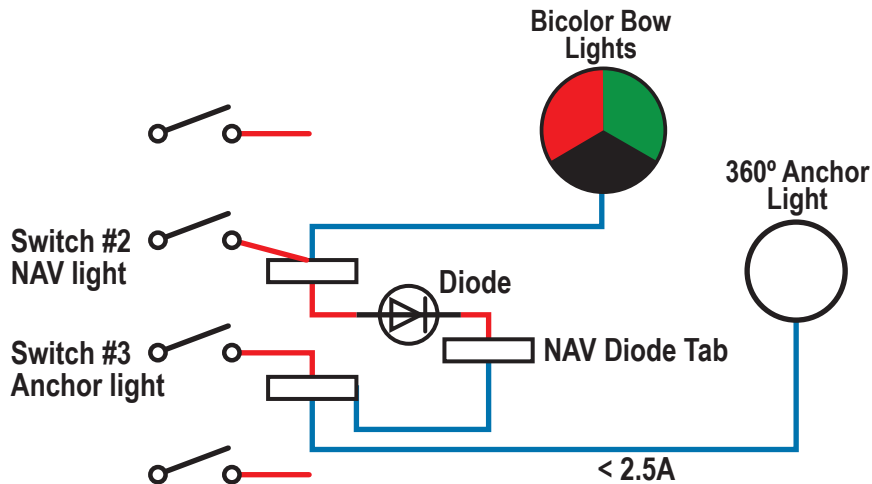
PN 4304 / PN 4306 / PN 4308 / PN 4314 / PN 4316 / PN 4318

Blue Sea Systems' WeatherDeck™ Fuse Panels offer a means of providing power to a 360° Anchor Light when turning on Bicolor Bow Lights, while still allowing the 360° Anchor Light to be turned on by itself without also powering the Bicolor Bow Lights.

To take advantage of this feature, you'll need to use a 0.25" quick connect tab marked "NAV Diode", which can be found on the circuit board on the rear of the WeatherDeck™ Fuse Panel. There is a diode installed on the circuit board between the output of Switch #2 and this NAV Diode tab.

For wiring, follow the diagram below and these steps:

1. Connect the Bicolor Bow Lights to Switch #2.
2. Install a 16 AWG jumper wire between the "NAV Diode" tab and the output terminal of Switch #3.
3. Connect the 360° Anchor Light to Switch #3.



Note: Blue wires are connected at installation



425 Sequoia Drive
Bellingham, WA 98226 USA
p 360.738.8230
p 800.222.7617 USA and Canada Customer Service
f 360.734.4195
conductor@blueseas.com
www.blueseas.com