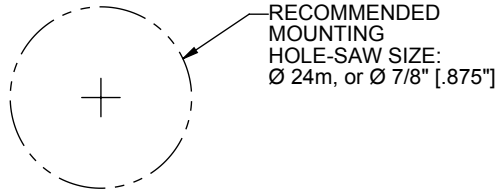


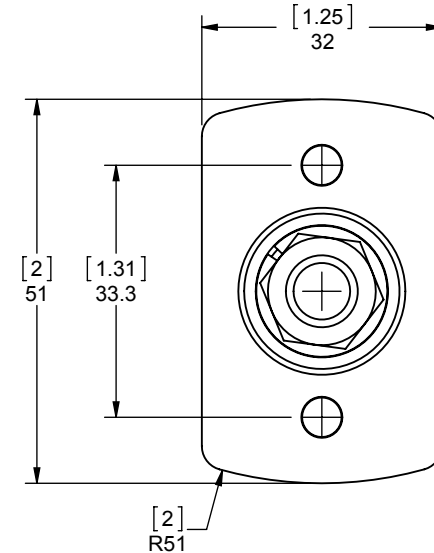
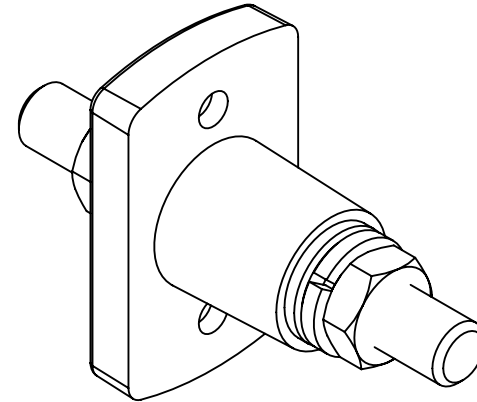
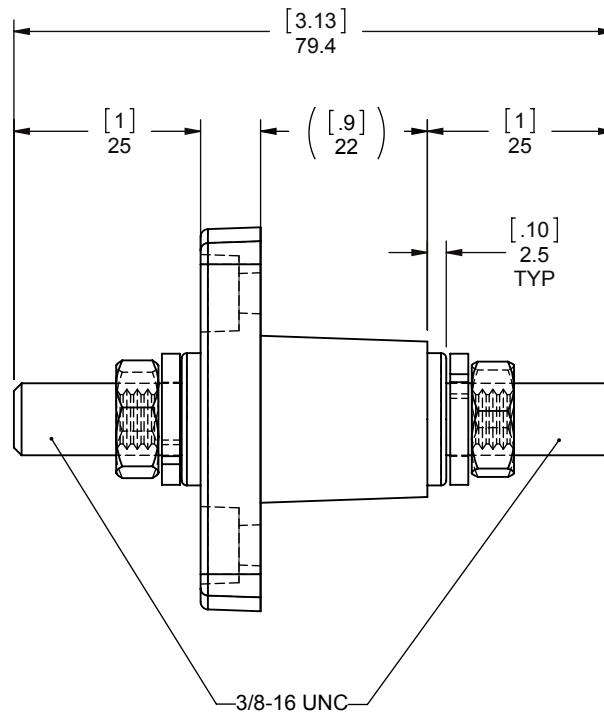
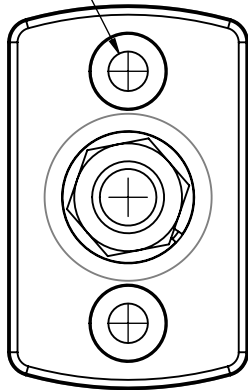
THIS DRAWING AND THE INFORMATION CONTAINED WITHIN IT ARE CONFIDENTIAL AND MAY NOT BE COPIED OR DISCLOSED WITHOUT THE WRITTEN PERMISSION OF BLUE SEA SYSTEMS.

ZONE		REV.	REVISIONS	DATE	APPROVED
		1	TOLERANCE BLOCK REMOVED, RELEVANT DIMENSIONS APPLIED	2015.07.22	T.DYKAS



RECOMMENDED MOUNTING HOLE-SAW SIZE: Ø 24mm, or Ø 7/8" [.875"]

CLEARANCE FOR #10, OR M5 MOUNTING SCREWS



NOTES:  
DIMENSIONS: mm [INCHES]

MATERIALS: ZYTEL PA66 FR50NC010 / TIN PLATED BRASS

THIRD ANGLE PROJECTION



	NAME	DATE
DRAWN	T.DYKAS	2011.12.16
CHECKED	J.RAU	2015.07.22
-	-	-
-	-	-
-	-	-

COMMENTS:

-

**BLUE SEA SYSTEMS**

425 Sequoia Drive Bellingham, WA 98226  
Phone (360)738-8230 Fax (360)734-4195

Feed Through Connector - Small  
Customer Drawing

Part Number:2203 (BLACK) / 2204 (RED)

SIZE	DWG. NO.	REV.
A	2203-2204 - Feed Thru Connector	1

SCALE 1:1 WEIGHT: SHEET 1 OF 1